

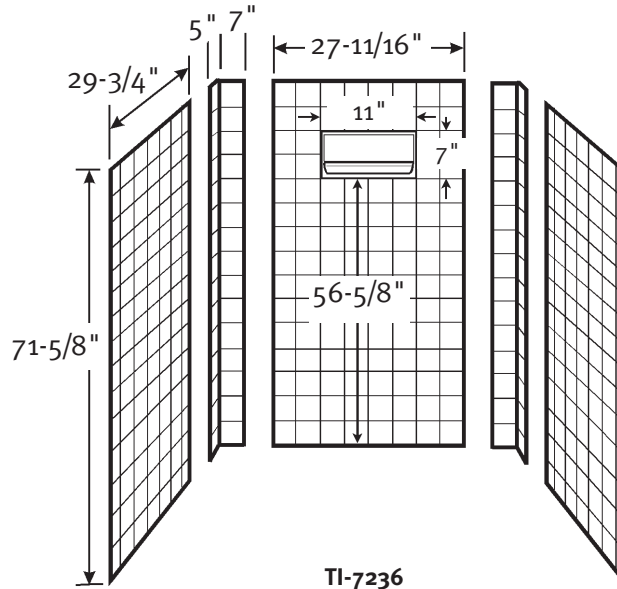


Manufactured from Veritek®
(See page 2 for detailed information.)

WARRANTY
Limited Lifetime – Residential
Limited 5-year – Commercial

FEATURES

- Compression molded Veritek® is a composite material with no surface coating to chip or crack.
- For use with Swanstone, Veritek® and other standard shower floors.
- Glue-up five piece shower wall panel system.



TI-7236
Designed to fit wall areas
31" – 36" deep x 29-1/4" – 39-3/4" wide x 71-5/8" high
(787 mm – 914 mm x 743 mm – 1010 mm x 1819)

SPECIFICATIONS

TI-7236 SwanTile™ Shower Wall Kit

Model	Part	Wall Area Designed To Fit	Ship Wt. Lb.	Ship FedEx	Carton Dims. In.	Cu. Ft.
TI-7236	TI07236	31" – 36" D x 29-1/4" – 39-3/4" W x 71-5/8" H (787 mm – 914 mm x 743 mm – 1010 mm x 1819 mm)	73	–	73 x 32 x 6	8.12

Kit Includes: One back panel with molded-in soap dish, two corner panels, two side panels and installation materials.

Packaging: Each kit is packed in a flat, rectangular carton.

COLORS

(See inside back cover for color sample.)

- White (010)
- Bone (037)
- Bisque (018)
- Bright White (137)
- Pearl (138)

SUPPORT DOCUMENTS

Installation instructions available at swanstone.com.

MADE IN USA

MAINTENANCE AND CLEANING INFORMATION

Clean regularly with common household liquid cleaners and a sponge or soft cloth. For hard water stains, scale removers can be used. To protect finish, fiberglass wax or automotive paste wax can be applied. **Do not** use abrasive cleaners or scouring pads. Do not use “leave on” cleaning products, such as automatic spray shower cleaners. Prolonged contact with harsh chemicals could have an adverse reaction over time and discolor surfaces. **Do not** use cleaning agents that caution use on acrylic, polyester or plastics.