

WARRANTY

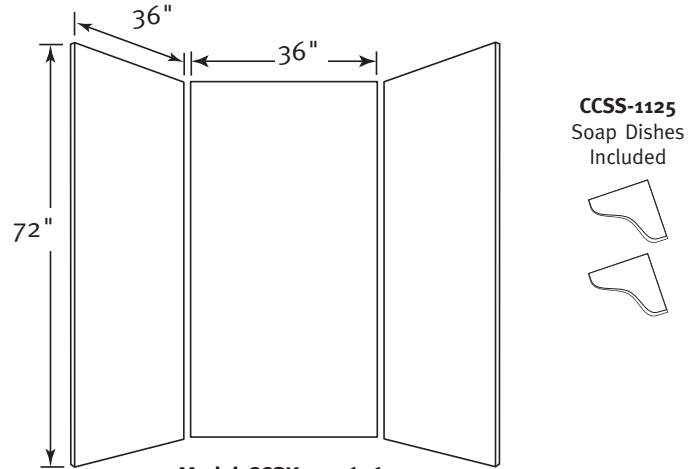
Limited Lifetime – Residential
 Limited 25-year – Commercial

Manufactured from Swanstone solid surface
 (See page 2 for detailed information.)

Recommended for high-use traffic areas and commercial surfaces.

FEATURES

- No grout to maintain; will not mold or mildew.
- Ideal for remodeling; easier to install than tile—panels glue up over existing surface.
- Coordinates with other Swanstone bath products.
- Heat resistant—walls can handle steamer units.
- Compression molding means superior durability.



Model CCSK72-3636

Designed to fit base areas
 36" deep or smaller x 36" wide x 72" high

SPECIFICATIONS

CCSK72-3636 Crystal Color Shower Wall Kit

Model	Part	Base Area Designed To Fit	Ship Wt. Lb.	Ship FedEx	Carton Dims. In.	Cu. Ft.
CCSK72-3636	CCSK723636	36"D* x 36"W x 72"H (914 mm x 914 mm x 1829 mm) (*or smaller)	136	-	78 x 42 x 4	7.58

Kit Includes: Two side panels, on back panel two corner soap dishes and installation materials.

Packaging: Each kit is packed in an individual carton.

COLORS

(See inside back cover for color sample.)

- Caramel Glass (133)
- Crystal White (105)
- Crystal Black (107)
- Gray Glass (134)
- Crystal Cream (106)
- Ivory Glass (132)

ACCESSORIES

See pages 59-60 for complete listing of all wall accessories.

STANDARDS AND RATINGS

American Society of Testing and Materials (ASTM) E-84: Class A Flame Spread Rating
 American National Standard Institute—ANSI Z124.6

International Association of Plumbing and Mechanical Officials (IAPMO)—Listed
 cUPC listed—Certified to CSA Test Standard B45.5 by IAPMO
 Uniform Plumbing Code (UPC)

For a complete list of tests and results see the Technical Data Sheet – page 175.

SUPPORT DOCUMENTS

Installation instructions available at swanstone.com.

 **MADE IN USA**

MAINTENANCE AND CLEANING INFORMATION

Clean regularly with common household liquid cleaners and rinse within five minutes of application. Occasional scrubbing with abrasive cleaners ensures that the original luster will be maintained. **Do not** use “leave on” cleaning products, such as automatic spray shower cleaners. Prolonged contact with harsh chemicals could have an adverse reaction over time and discolor surfaces. **Do not** use cleaning agents that caution use on acrylic, polyester or plastics.



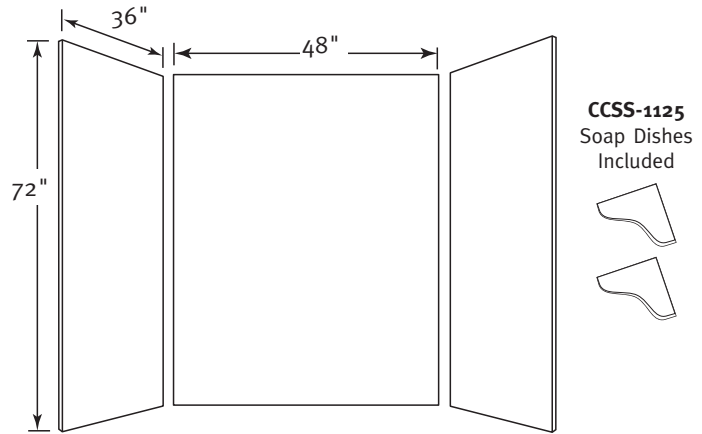
WARRANTY
Limited Lifetime – Residential
Limited 25-year – Commercial

Manufactured from Swanstone solid surface
(See page 2 for detailed information.)

Recommended for high-use traffic areas and commercial surfaces.

FEATURES

- No grout to maintain; will not mold or mildew.
Ideal for remodeling; easier to install than tile—panels glue up over existing surface.
Coordinates with other Swanstone bath products.
Heat resistant—walls can handle steamer units.
Compression molding means superior durability.



Model CCSK72-3648

Designed to fit base areas
36 inch deep or smaller x 48 inch wide x 72 inch high

SPECIFICATIONS

CCSK72-3648 Crystal Color Shower Wall Kit

Table with 7 columns: Model, Part, Base Area Designed To Fit, Ship Wt. Lb., Ship FedEx, Carton Dims. In., Cu. Ft. Row 1: CCSK72-3648, CCSK723648, 36 inch D x 48 inch W x 72 inch H (914 mm x 1219 mm x 1829 mm) (*or smaller), 175, —, 78 x 54 x 4, 9.75

Kit Includes: Two side panels, one back panel, two corner soap dishes and installation materials.

Packaging: Each kit is packed in an individual carton.

ACCESSORIES

See pages 59-60 for complete listing of all wall accessories.

STANDARDS AND RATINGS

American Society of Testing and Materials (ASTM) E-84: Class A Flame Spread Rating
American National Standard Institute—ANSI Z124.6

International Association of Plumbing and Mechanical Officials (IAPMO)—Listed
cUPC listed—Certified to CSA Test Standard B45.5 by IAPMO

Uniform Plumbing Code (UPC)

For a complete list of tests and results see the Technical Data Sheet – page 175.

SUPPORT DOCUMENTS

Installation instructions available at swanstone.com.

MADE IN USA

COLORS

(See inside back cover for color sample.)

- Caramel Glass (133)
Crystal White (105)
Crystal Black (107)
Gray Glass (134)
Crystal Cream (106)
Ivory Glass (132)

MAINTENANCE AND CLEANING INFORMATION

Clean regularly with common household liquid cleaners and rinse within five minutes of application. Occasional scrubbing with abrasive cleaners ensures that the original luster will be maintained. Do not use "leave on" cleaning products, such as automatic spray shower cleaners. Prolonged contact with harsh chemicals could have an adverse reaction over time and discolor surfaces. Do not use cleaning agents that caution use on acrylic, polyester or plastics.